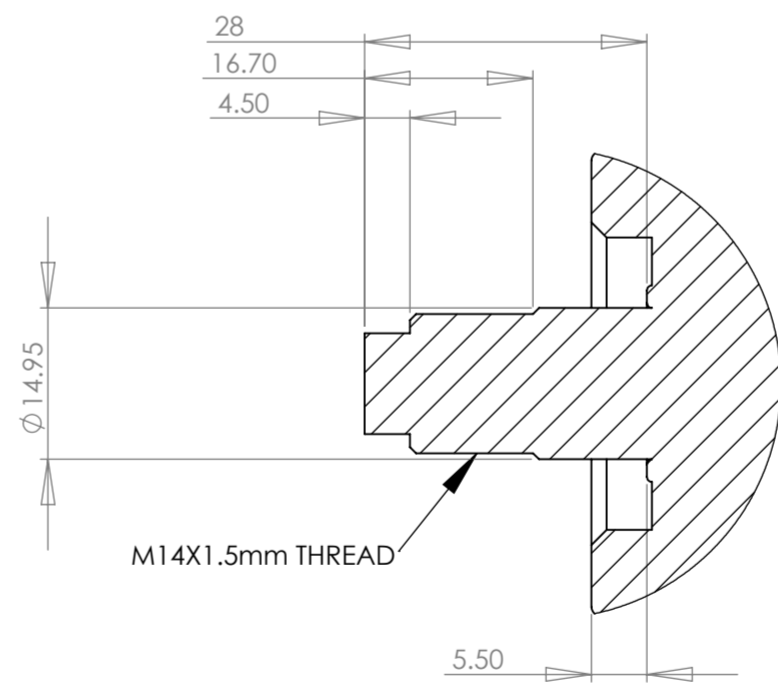
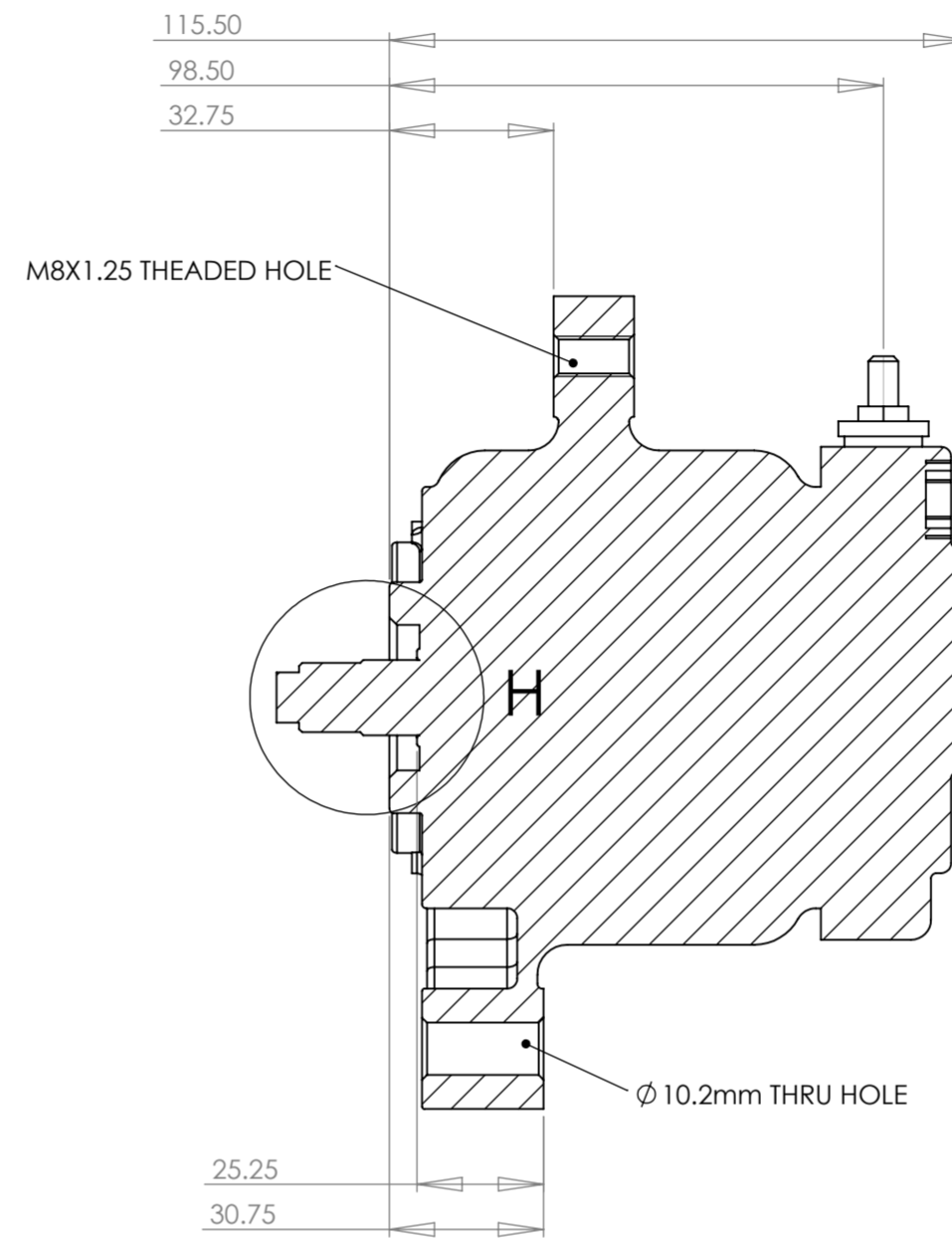
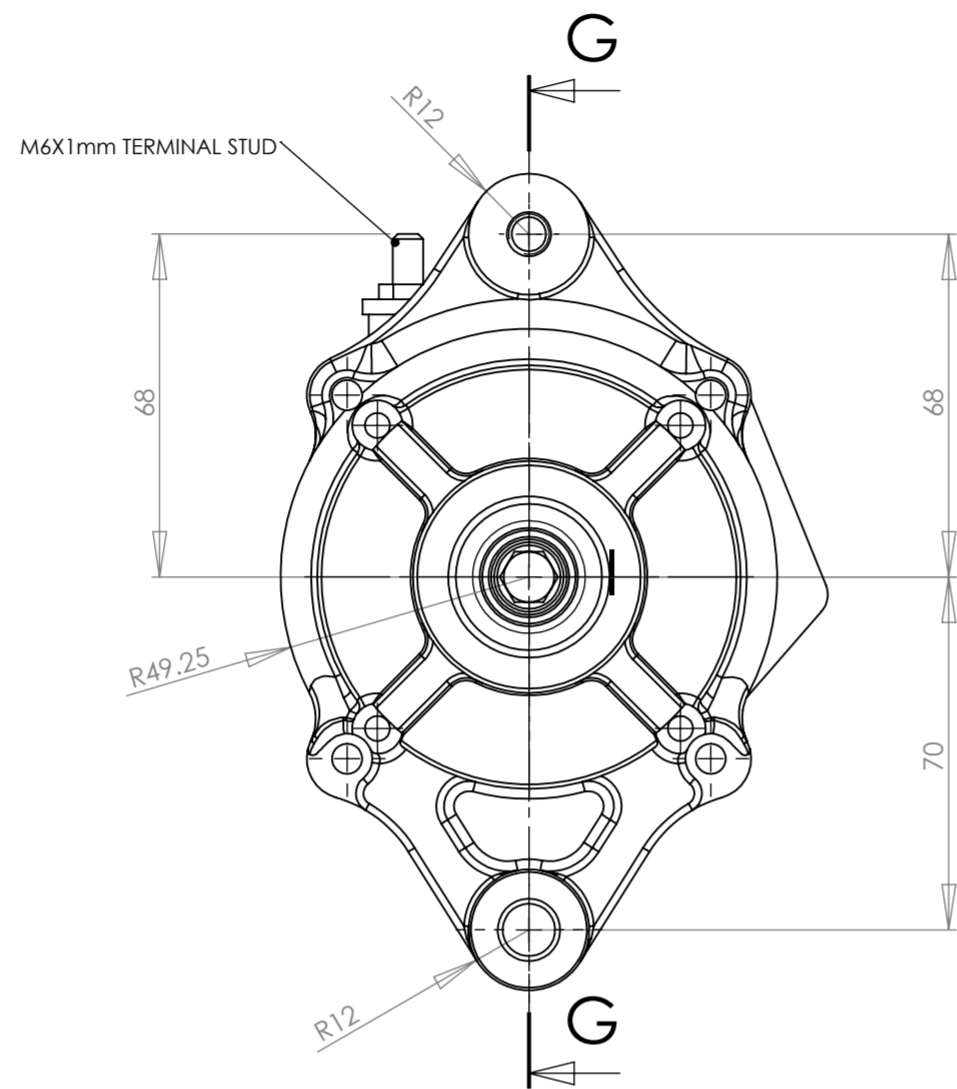
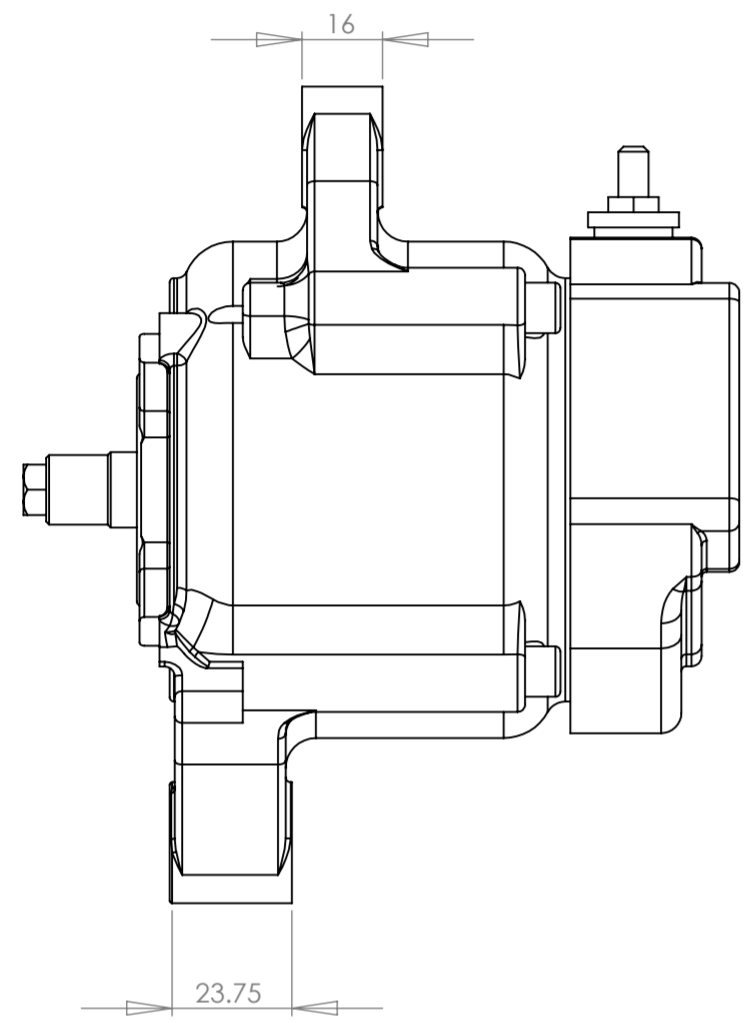
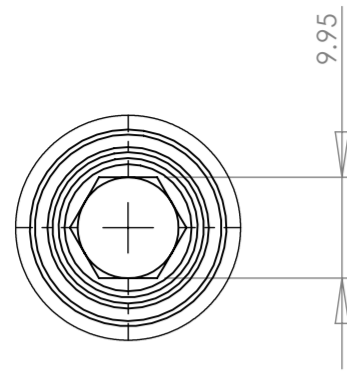
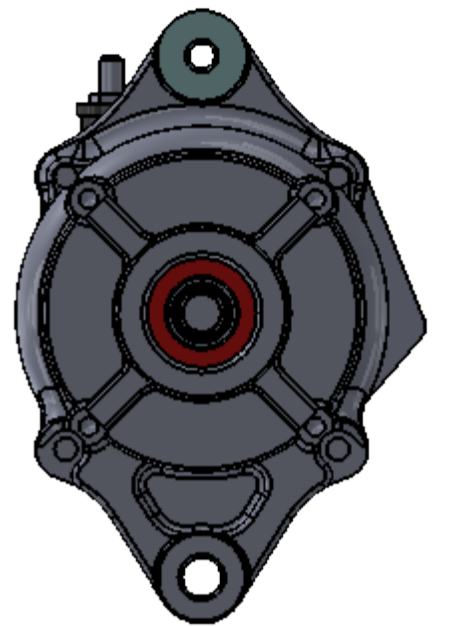


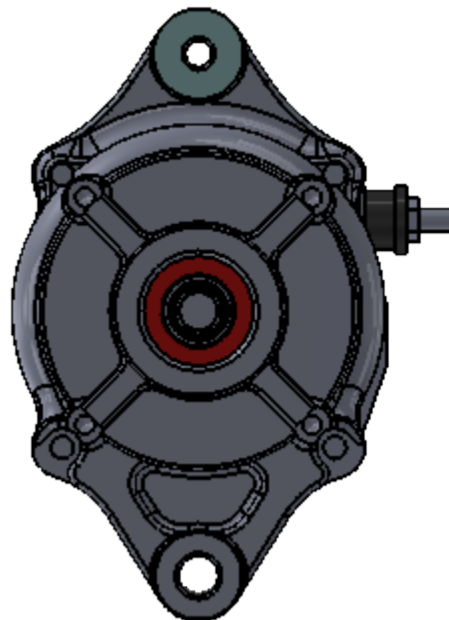
DETAIL I  
SCALE 2 : 1.5



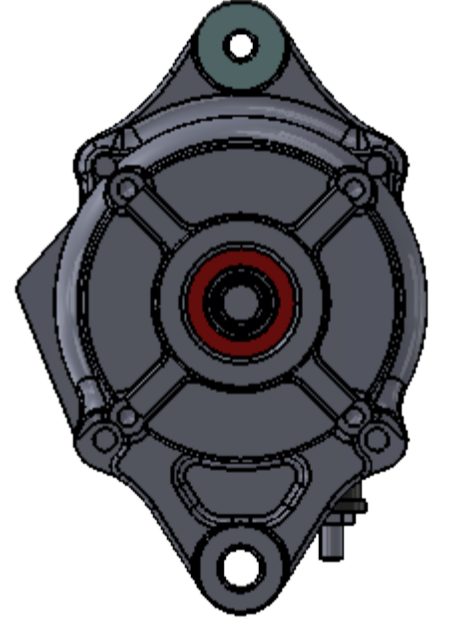
FRONT VIEW  
TYPE 'A'



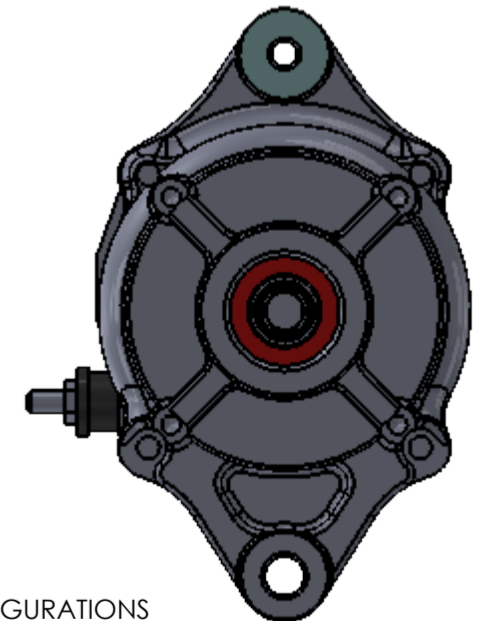
FRONT VIEW  
TYPE 'B'



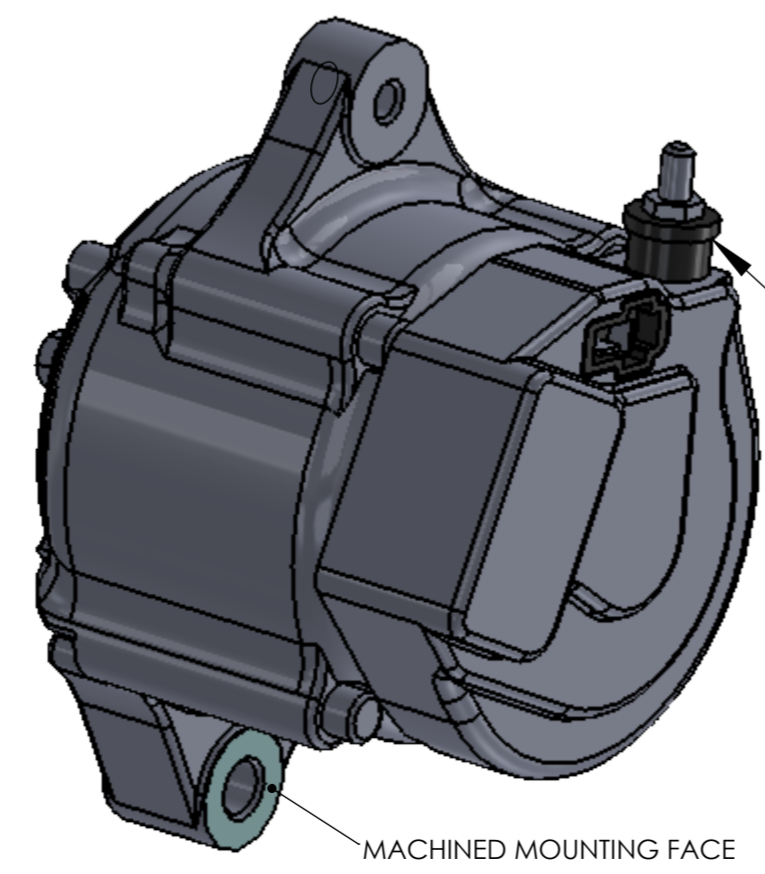
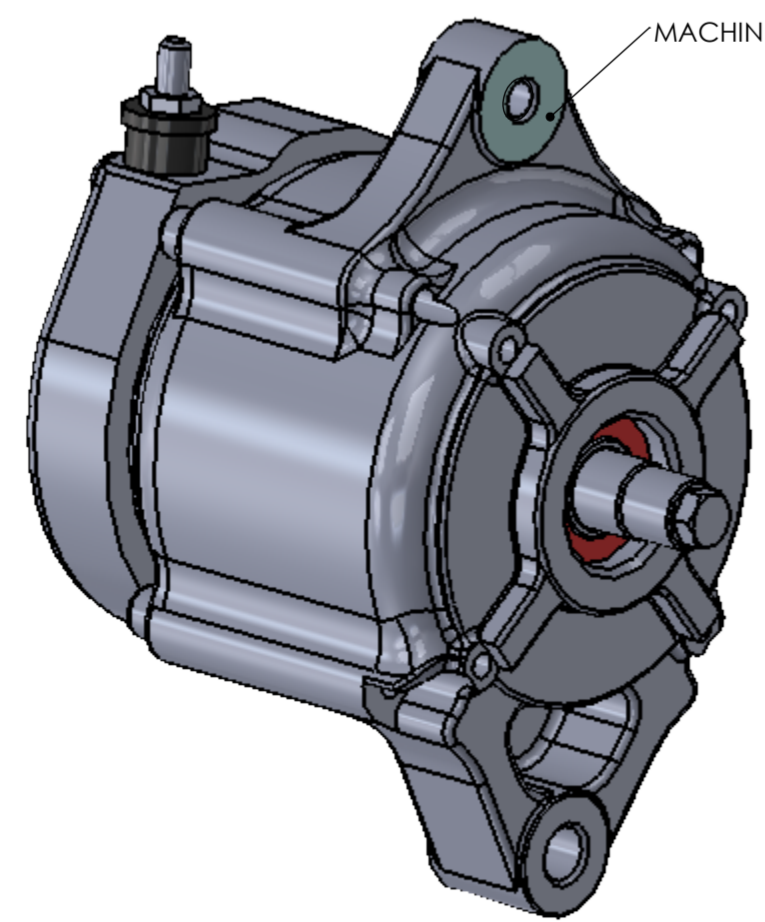
FRONT VIEW  
TYPE 'C'



FRONT VIEW  
TYPE 'D'



REAR PLUG CONFIGURATIONS



TERMINAL AND PLUG  
SHOWN IN TYPE 'A'  
CONFIGURATION

DETAIL H  
SCALE 2 : 1.5

DRAWN BY D CUDD	DATE 04/07/16	SIGNED	DRAWING NUMBER LMA200	DRAWING TITLE LMA200 INSTALLATION DRAWING	PROJECT TITLE ALTERNATOR DRAWINGS
UNLESS OTHERWISE SPECIFIED: DIMENSIONS ARE IN MILLIMETERS TOLERANCES: UNLESS OTHERWISE SPECIFIED LINEAR : ±0.1MM ANGULAR : ± 0.5° DEBUR AND BREAK SHARP EDGES			MATERIAL: N/A	FINISH: N/A	
REVISION	MADE BY	DATE	REVISION MADE		

